

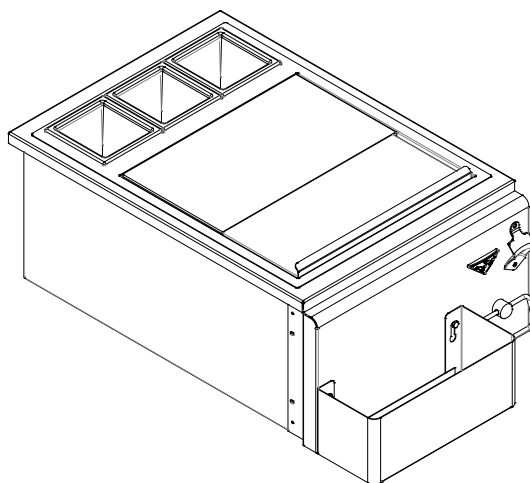
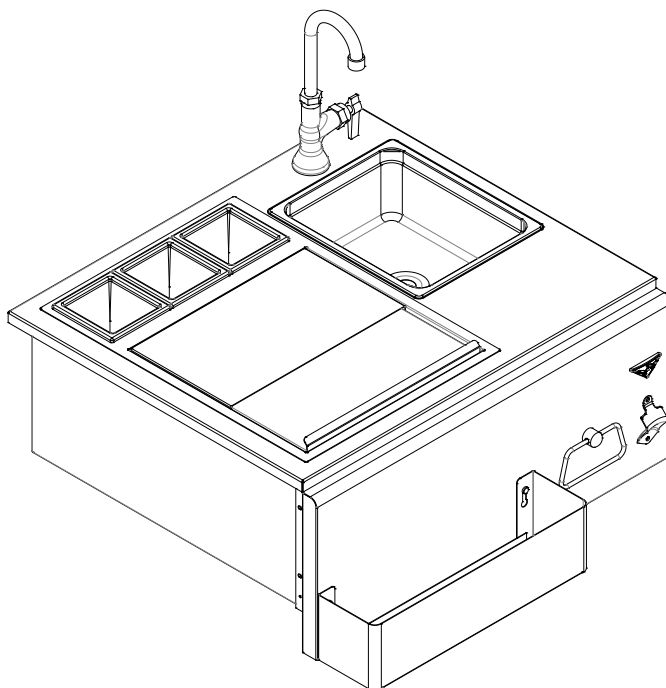


TWIN EAGLES

U S A

INNOVATION AND INSPIRATION ON FIRE™

TWIN EAGLES OUTDOOR BAR INSTALLATION, USE AND CARE



A special message...

Congratulations on your purchase of TWIN EAGLES Outdoor Bar. In addition to its Unique Style, Superb Performance and High Quality, this unit is built with pride in the U.S.A. Twin Eagles is committed to making outdoor cooking products you will be proud to own for years.

This manual gives you easy to follow instructions for installing, operating and maintaining your TWIN EAGLES Outdoor Bar. We recommend reading this manual carefully before your first use to ensure safety, proper care and operation. Keep this manual in a safe place for future reference.

Thank you and welcome!

TWIN EAGLES



To the Installer:

Please read these instructions completely before installation and give this manual to the owner.

To the Owner:

Keep this manual in a safe place for future reference.



ASSEMBLY INSTRUCTIONS

1. Please check that all items shown in the preceding diagrams are in the package.

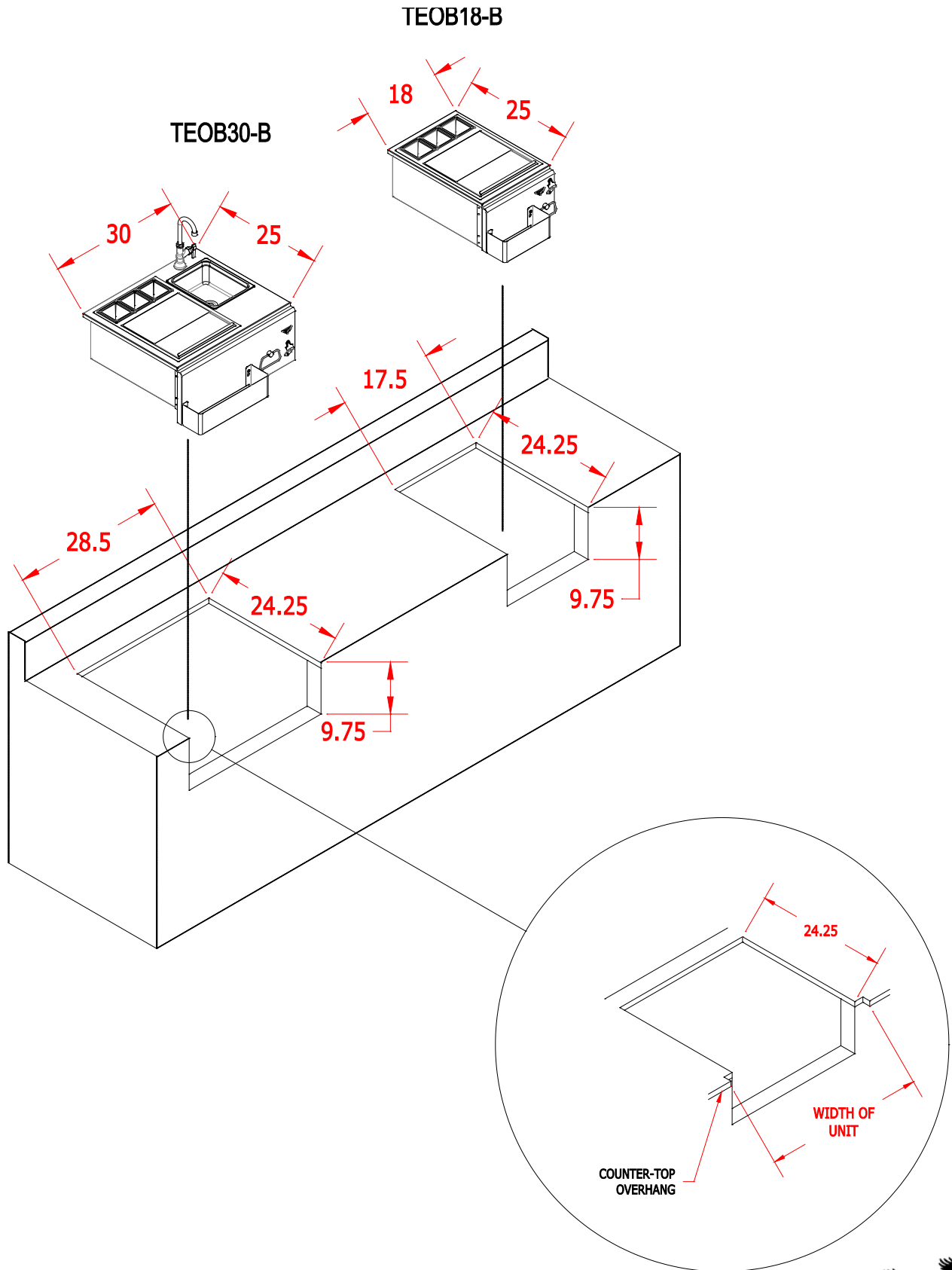
Make sure the following loosed items are included:

	TEOB18-B	TEOB30-B
Bottle Wells	3	3
Sliding Cover	1	1
Frame Holder	1	1
Ice bin Drain Plug	1	1
Speed Rail	1	1
Faucet		1
Sink Drain Plug		1

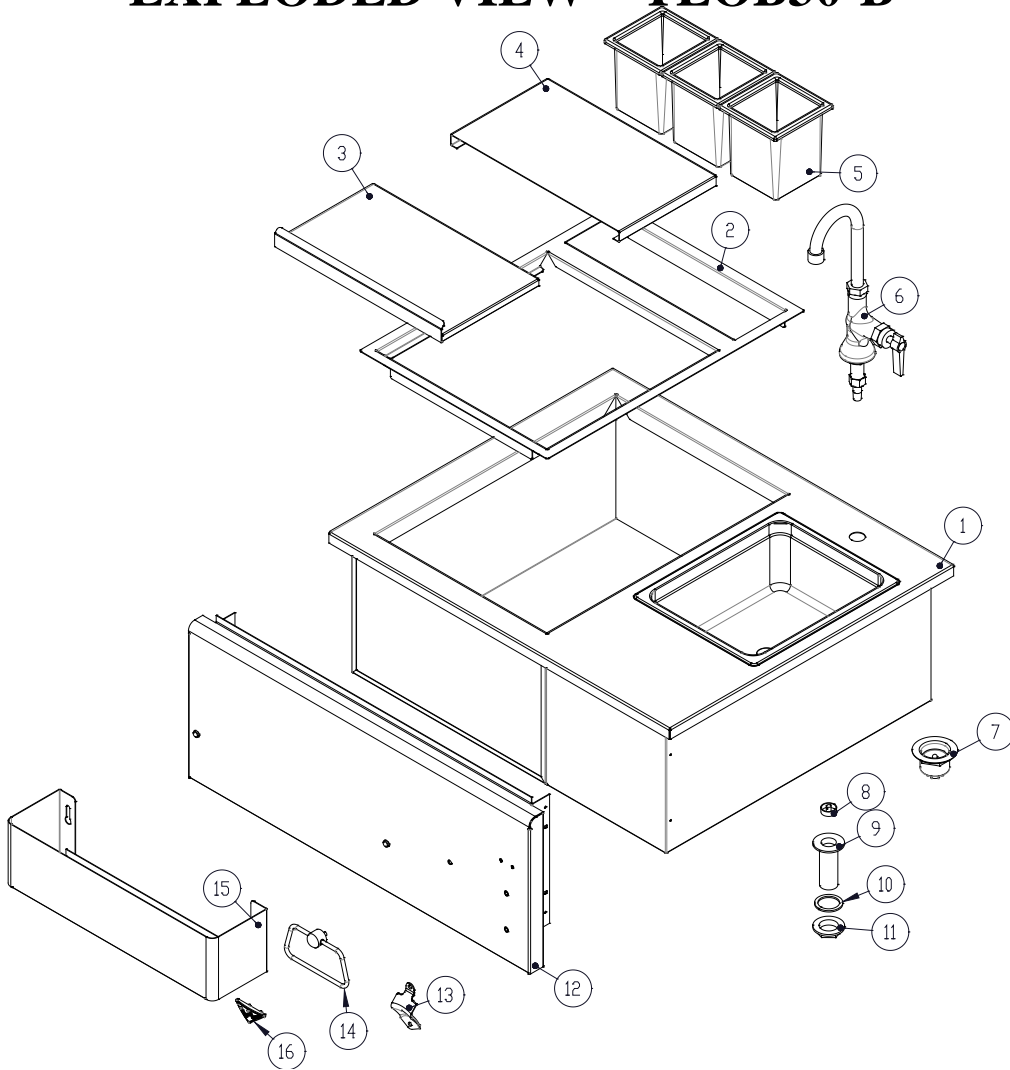
2. Install the Built-in models into the island. Apply weatherproof sealant around the edges of the units.
3. Install drain lines: one for the 1” brass drain of the ice bin and one for the 1-1/2” stainless steel drain of the dump sink. Typical drain connection is shown on page 6-7.
4. Install the faucet on TEOB30-B (see assembly instruction inside the faucet box) and connect to cold water line.
5. Check water and drain connections for leaks.
6. Attach the speed rail to the front of the unit.
7. Install the frame holder with the bigger cutout to the front of the ice bin with the turned edges of the frame on the sides.
8. Install 3 bottle wells into the smaller rectangular cutout of the frame holder.
9. Install the 2-piece cover into the cover frame with the rear cover at the back and the sliding cover at the front.
10. Install the drain plugs for the ice bin and for the dump sink.



CUT-OUT DIMENSIONS



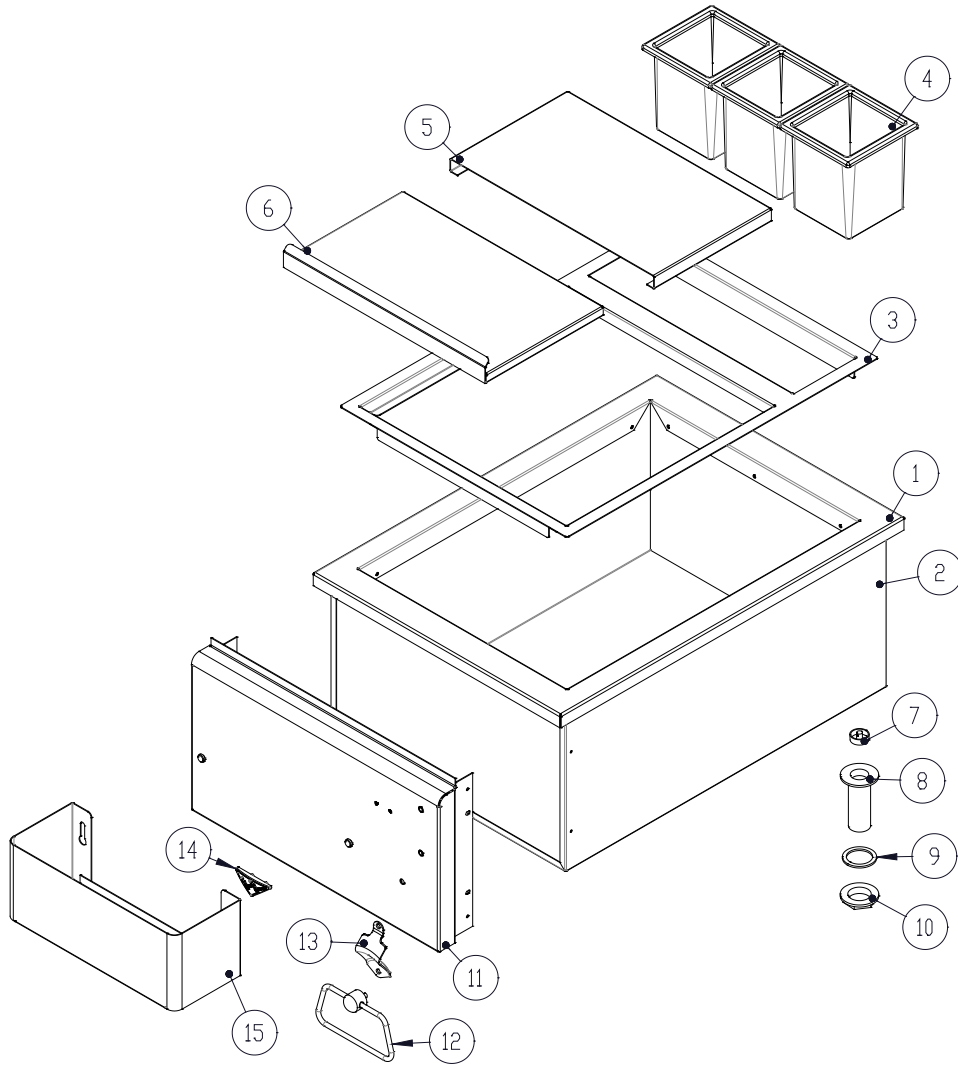
EXPLODED VIEW – TEOB30-B



ITEM NO.	PART NUMBER	DESCRIPTION	QTY.
1	S20380-30WY	30" OUTDOOR WELDED ASSEMBLY	1
2	S20383	HOLDER FRAME	1
3	S20316Y	SLIDING COVER ASSEMBLY	1
4	S20315	FIXED COVER	1
5	S14407	BOTTLE WELL	3
6	S12667	FAUCET	1
7	S12615	MINIBASKET DRAIN	1
8	S12612	BRASS STOPPER	1
9	S12611	BRASS DRAIN SINK	1
10	S12613	RUBBER WASHER	1
11	S12614	BRASS FLANGED COCKNUT	1
12	S20385WY	FRONT PANEL WELDED ASSEMBLY	1
13	S14410	BOTTLE OPENER	1
14	S14409	TOWEL RING HOLDER	1
15	S20312	SPEEDRAIL, 30	1
16	S13204	LOGO, TWIN EAGLES	1



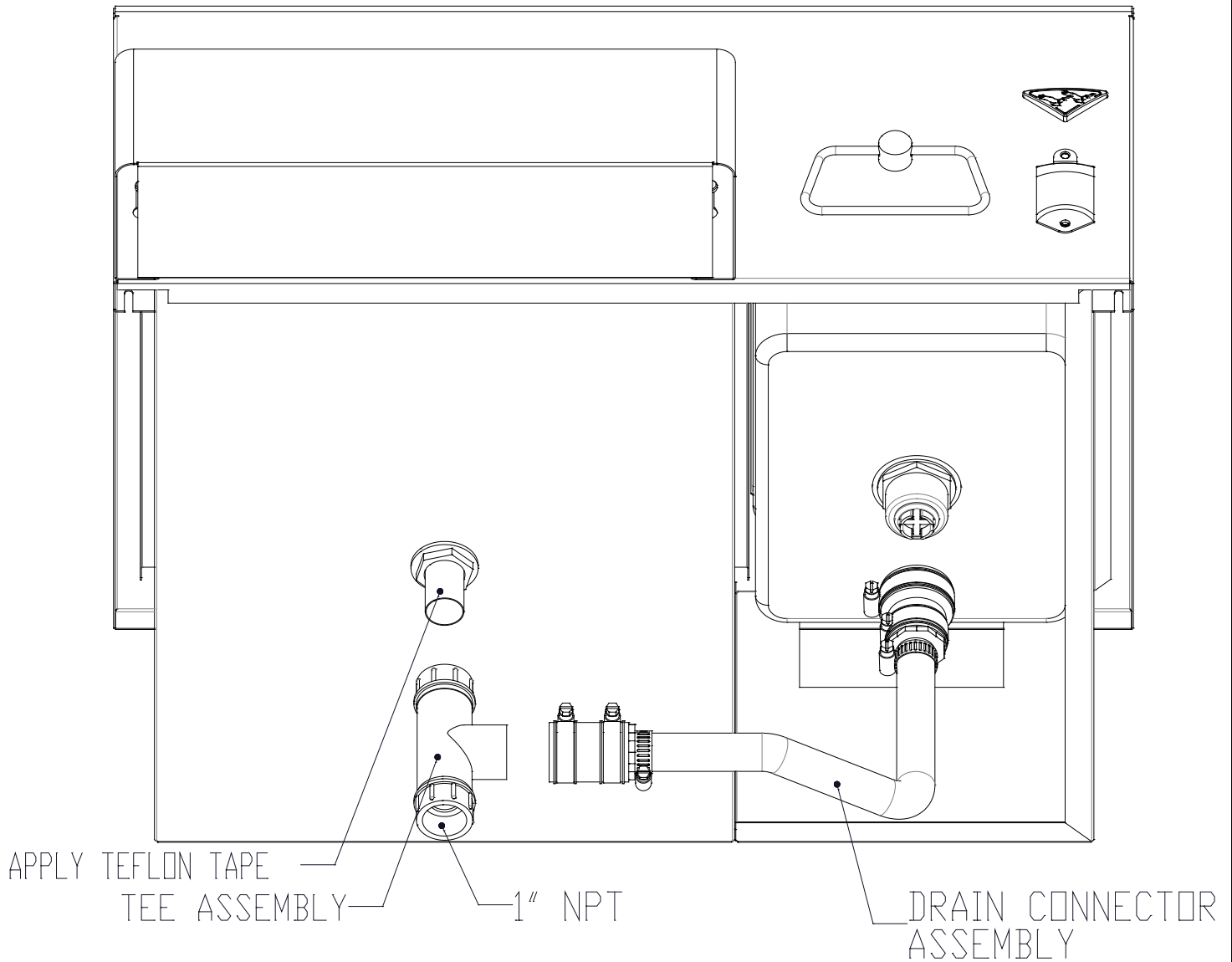
EXPLODED VIEW – TEOB18-B



ITEM NO.	PART NUMBER	DESCRIPTION	QTY.
1	S20380-18	OUTDOOR BAR TRIM	1
2	S20381Y	ICE BIN ASSEMBLY	1
3	S20383	HOLDER FRAME	1
4	S14407	BOTTLE WELL	3
5	S20315	FIXED COVER	1
6	S20316Y	SLIDING COVER ASSEMBLY	1
7	S12612	BRASS STOPPER	1
8	S12611	BRASS DRAIN SINK	1
9	S12613	RUBBER WASHER	1
10	S12614	BRASS FLANGED COCKNUT	1
11	S20386WY	FRONT PANEL WELDED ASSEMBLY	1
12	S14409	TOWEL RING HOLDER	1
13	S14410	BOTTLE OPENER	1
14	S13204	LOGO, TWIN EAGLES	1
15	S20311	SPEEDRAIL, 18	1



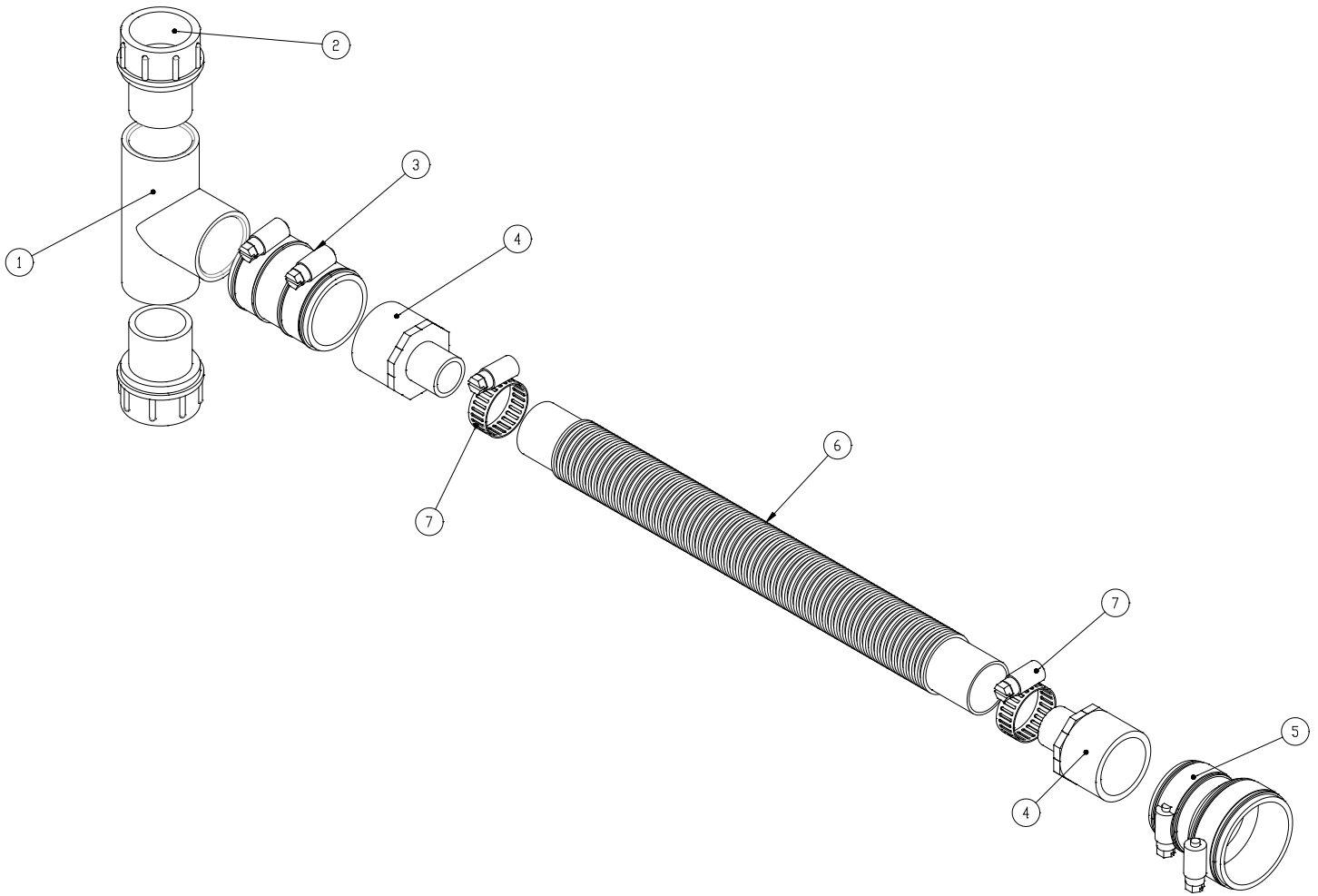
TYPICAL DRAIN CONNECTION



*NOTE: PARTS CAN BE OBTAINED AT YOUR LOCAL HARDWARE STORES. NOT SUPPLIED BY TWIN EAGLES.



TYPICAL DRAIN CONNECTION – CONT.



ITEM	DESCRIPTION	QTY
1	PVC TEE, 1 x 1 x 1T	1
2	PVC FITTING, ¾ T x 1 FPT	2
3	PIPE CONNECTOR, PTC-50	1
4	PVC FITTING, 1T x ¾ MPT	2
5	PIPE CONNECTOR, PDTC-50	1
6	BILGE HOSE, 12 INCHES	1
7	CLAMP, #12, STAINLESS	2

*NOTE: PARTS CAN BE OBTAINED AT YOUR LOCAL HARDWARE STORE. NOT SUPPLIED BY TWIN EAGLES.



CLEANING AND MAINTENANCE

STAINLESS STEEL & GENERAL PRODUCT CARE

To keep your Outdoor Bar free of surface corrosion and in good working order, it is important to take additional precautions under certain conditions.

If your Outdoor Bar is located in corrosive conditions, such as:

- A coastal environment where corrosive salty air is present
- Near a swimming pool, hot tub or water feature with exposure to corrosive pool chemicals and/or chlorinated water
- Areas where muriatic acid (hydrochloric acid) or other corrosive cleaning solutions are used to clean concrete and masonry
- Areas where corrosive masonry dust and debris are created by cutting stone or mixing cements

These conditions can create a highly corrosive environment that will cause the corrosion resistant type 304 stainless steel to develop surface oxidation, corrosion or rust.

TWIN EAGLES products have been tested in saline solutions, highly chlorinated solutions and have been tested against exposure to highly acidic foods. The test results proved the type 304 stainless steel can withstand exposure over prolonged periods of time. However, the conditions outlined above, along with neglect, can lead to surface corrosion or rust.

ATTENTION:

- Do not allow food particles or grease to be left on the bar top. These can attract rodents, which are unsanitary and are likely to cause physical damage.
- Specks of grease or dirt can gather on the surface of the stainless steel and get baked-on if left in the sun for an extended period of time. These can be removed by using a mild abrasive pad with a stainless steel cleaner. Use the mildest cleaner and always scrub in the direction of the grain. **Do not use steel wool to clean any surfaces on the Outdoor Bar.**
- In the event that surface corrosion has developed on the stainless steel, it is typically not the stainless steel that is corroding but corrosive particles that have been deposited on the surface.

WARNING:

It is recommended that your TWIN EAGLES products be kept dry and covered when not in use. This is even more important when long-term storage is intended.

If you are located along the coast or in the desert, wind driven sand is extremely abrasive and can pit and scratch the stainless steel. Keep your TWIN EAGLES products covered when not in use.



THIS PAGE IS INTENTIONALLY LEFT BLANK



HOW TO OBTAIN SERVICE

For service, please contact your TWIN EAGLES dealer or call TWIN EAGLES direct at (800) 789-2206 or (562) 802-3488 or fax (562) 802-3391

Mailing address:
Twin Eagles, Inc.
13259 East 166th Street
Cerritos, CA 90703

Visit us at <http://twineaglesgrills.com/>

Please provide:

- Model number
- Serial Number
- Date of Purchase
- A description of the problem



INNOVATION AND INSPIRATION ON FIRE™

WARRANTY REGISTRATION

Customer Name	Model #
Address	Serial #
City, State	Date Purchased
Zip	Dealer's Name
Phone #	Dealer's Address
e-mail:	

THIS WARRANTY REGISTRATION CARD MUST BE RETURNED WITHIN THIRTY DAYS OF PURCHASED TO PROPERLY ACTIVATE YOUR WARRANTY. THIS INFORMATION IS FOR INTERNAL USE ONLY.

OR YOU MAY REGISTER ONLINE AT <http://twineaglesgrills.com/contact/>

Cut
Here

Place
Postage
Here



INNOVATION AND INSPIRATION ON FIRE™

Customer Service
ATTN: Warranty Department
13259 East 166th Street
Cerritos, Ca 90703

Fax No. 562 802-3391