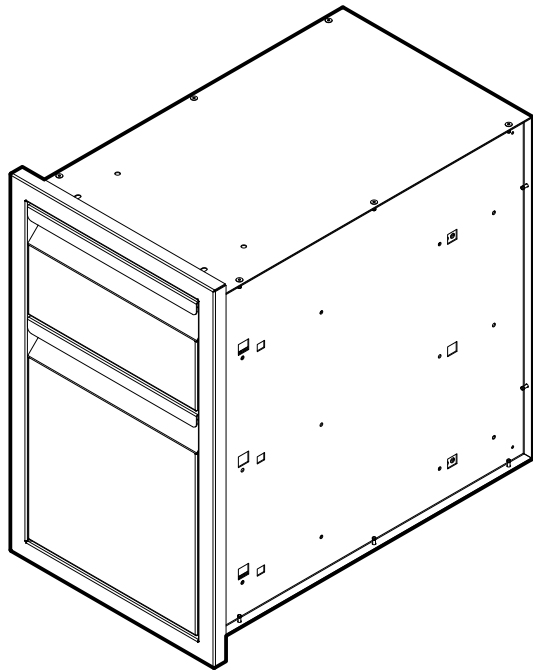


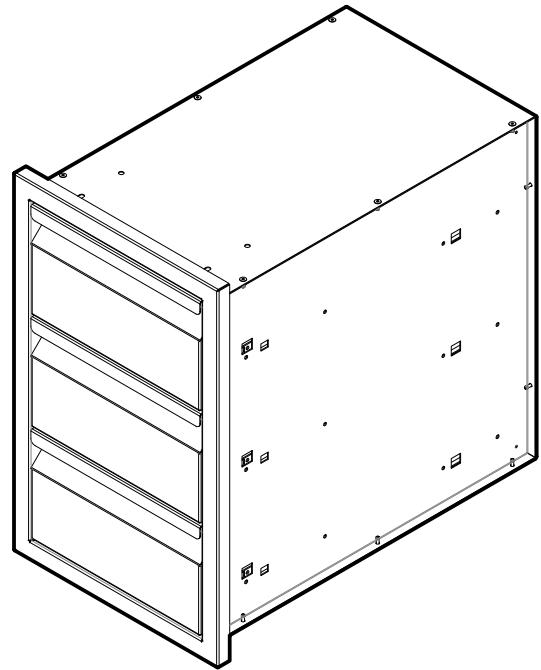


TWIN EAGLES STORAGE DRAWERS

FEATURE SHEET



TESDI132-B



TESDI133-B

FEATURES:

- 304 Stainless Steel construction
- Heavy duty, 100 lbs capacity, full extension and removable slides
- High-polished, non-protruding drawer handles
- One-piece 18 gauge front frame
- Extra large drawer
- Easy to install

SPECIFICATIONS:

Overall Dimensions:

	TESDI132-B	TESDI133-B
Height:	20.75"	20.75"
Width:	13.00"	13.00"
Depth:	20.75"	20.75"
Ship Weight:	40 LBS	45 lbs

Cutout Dimensions

	TESDI132-B	TESDI133-B
Height:	19.00"	19.00"
Width:	12.125"	12.125"
Depth:	n/a	n/a

WARNING

PROP. 65 FOR CALIFORNIA RESIDENTS
Cancer and Reproductive Harm -- www.P65Warnings.ca.gov

AVERTISSEMENT

PROP. 65 POUR LES RESIDENTS DE LA CALIFORNIE
Cancer et Troubles de l'appareil Reproducteur -- www.P65Warnings.ca.gov