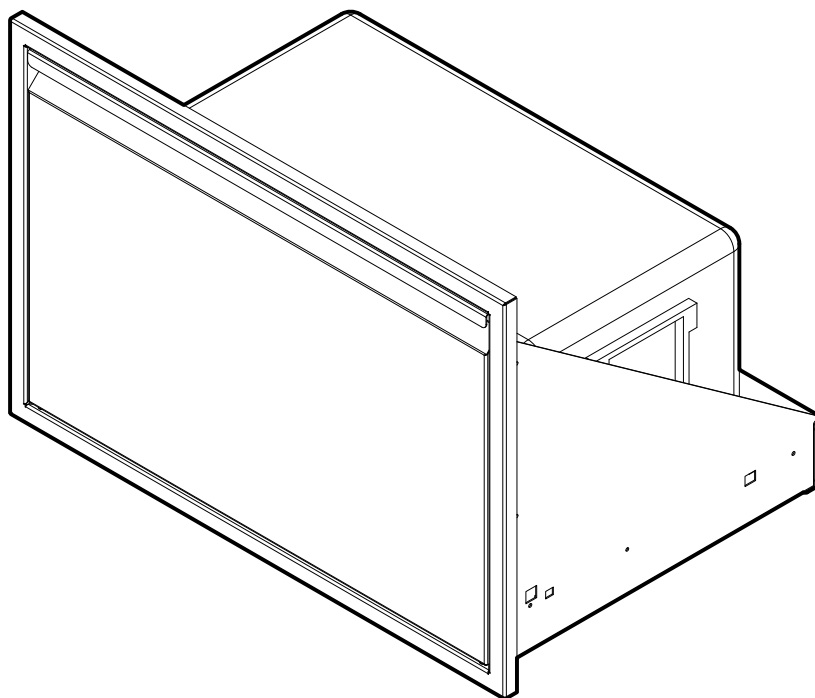




# TWIN EAGLES COOLER DRAWER FEATURE SHEET



TECD30-B

## FEATURES:

- 304 Stainless Steel construction
- Heavy duty, 100 lbs capacity, full extension and removable slides
- High polished, non-protruding drawer handle
- One-piece 18 gauge front frame
- 48 quart Ice Chest - INCLUDED - (color may vary)
- Easy to install

## SPECIFICATIONS:

- Overall Dimensions:

	TECD30-B
Height:	20.75"
Width:	30.00"
Depth:	20.75"
Ship Weight:	48 lbs
- Cutout Dimensions:

Height:	19.25"
Width:	28.50"
Depth:	n/a



### WARNING

PROP. 65 FOR CALIFORNIA RESIDENTS  
Cancer and Reproductive Harm -- [www.P65Warnings.ca.gov](http://www.P65Warnings.ca.gov)



### AVERTISSEMENT

PROP. 65 POUR LES RESIDENTS DE LA CALIFORNIE  
Cancer et Troubles de l'appareil Reproducteur -- [www.P65Warnings.ca.gov](http://www.P65Warnings.ca.gov)