

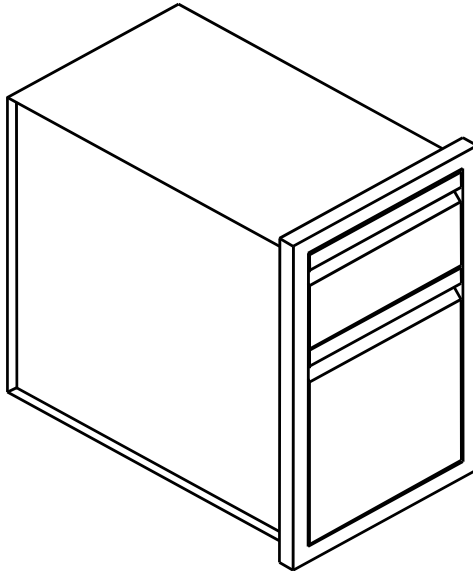


TWIN EAGLES

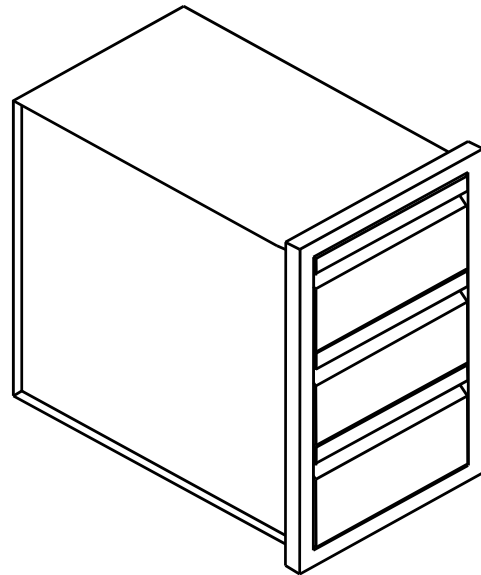
U S A

Defining the Art of Outdoor Cooking

Twin Eagles Storage Drawers



TESD132-B



TESD133-B

Features:

- ▼ Superior welding and finish
- ▼ Stainless steel welded construction
- ▼ Heavy duty, 100 lbs capacity, full extension and removable slides
- ▼ High-polished, non-protruding drawer handles
- ▼ One-piece 18 gauge front frame
- ▼ Extra large drawer
- ▼ Easy to install

Specifications:

Overall Dimensions

	TESD132-B	TESD133-B
Height	: 20.75"	: 20.75"
Width	: 13.00"	: 13.00"
Depth	: 20.75"	: 20.75"
Ship Weight	: 40 lbs	: 45 lbs

Cutout Dimensions

	TESD132-B	TESD133-B
Height	: 19.00"	: 19.00"
Width	: 12.125"	: 12.125"
Depth	: n/a	: n/a