



TWIN EAGLES OUTDOOR BAR INSTALLATION USE AND CARE MANUAL



Models: TEOB18-B
TEOB30-B

ASSEMBLY INSTRUCTION

1. Please check that all items shown in the preceding diagrams are in the package.

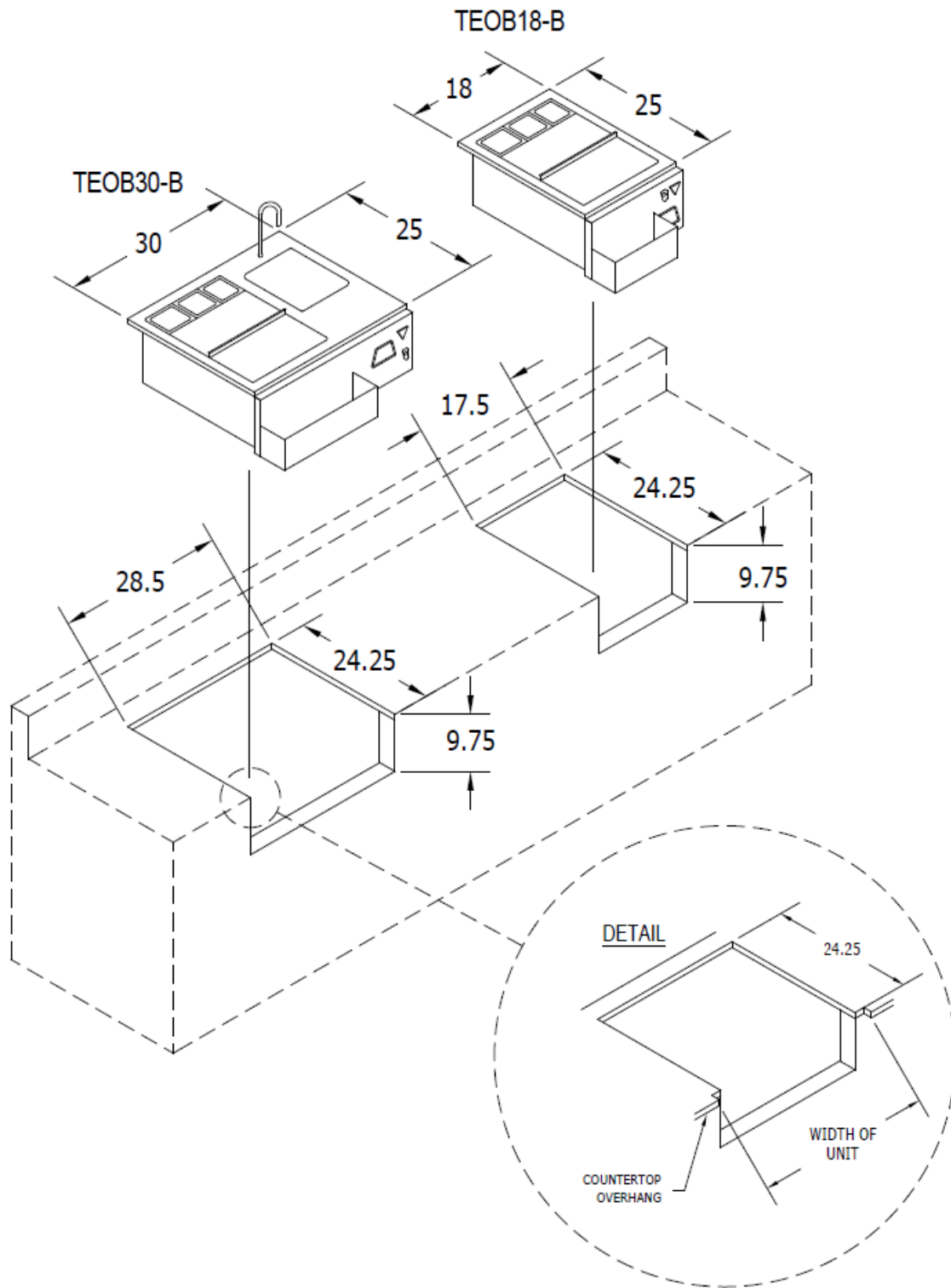
Make sure the following loosed items are included:

	TEOB18-B	TEOB30-B
Bottle Wells	3	3
Sliding Cover	1	1
Frame Holder	1	1
Ice bin Drain Plug	1	1
Speed Rail	1	1
Faucet		1
Sink Drain Plug		1

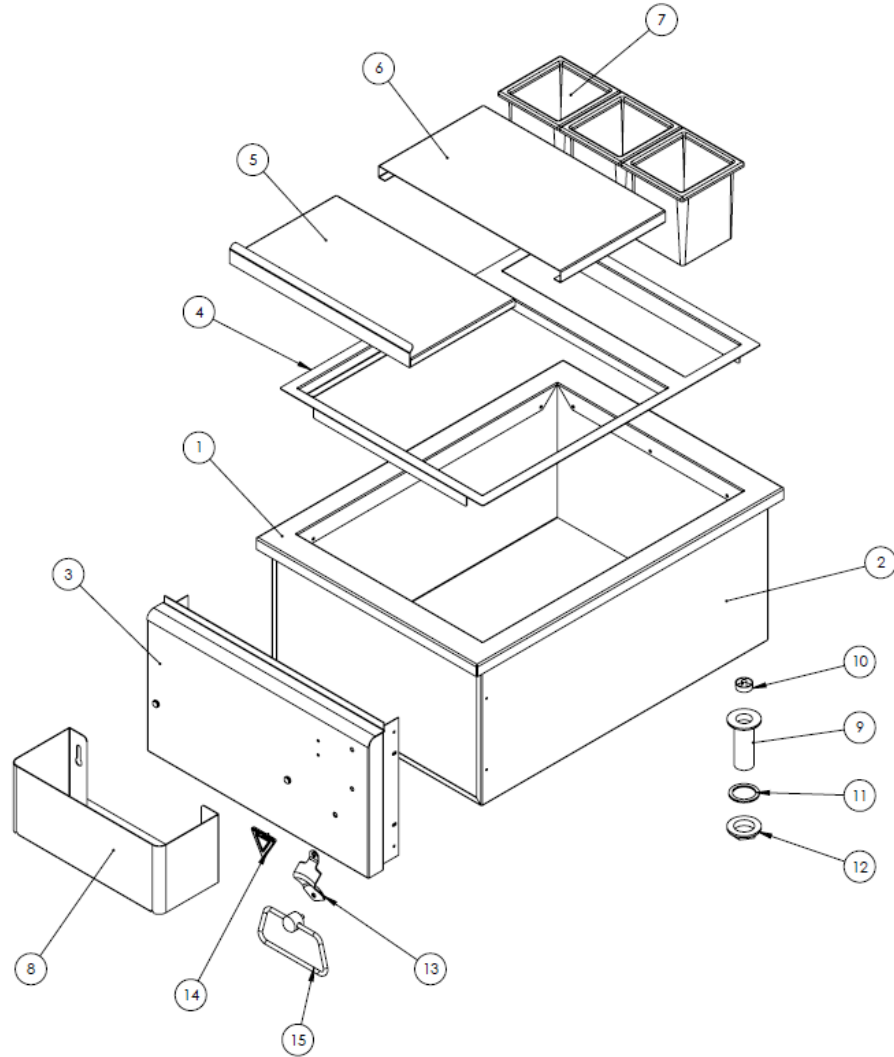
2. Install the Built-in models into the island. Apply weatherproof sealant around the edges of the units.
3. Install drain lines: one for the 1" brass drain of the ice bin and one for the 1-1/2" stainless steel drain of the dump sink. Typical drain connection is shown on page 5-6.
4. Install the faucet on TEOB30-B (see assembly instruction inside the faucet box) and connect to cold water line.
5. Check water and drain connections for leaks.
6. Attach the speed rail to the front of the unit.
7. Install the frame holder with the bigger cutout to the front of the ice bin with the turned edges of the frame on the sides.
8. Install 3 bottle wells into the smaller rectangular cutout of the frame holder.
9. Install the 2-piece cover into the cover frame with the rear cover at the back and the sliding cover at the front.
10. Install the drain plugs for the ice bin and for the dump sink.



CUTOUT DIMENSION



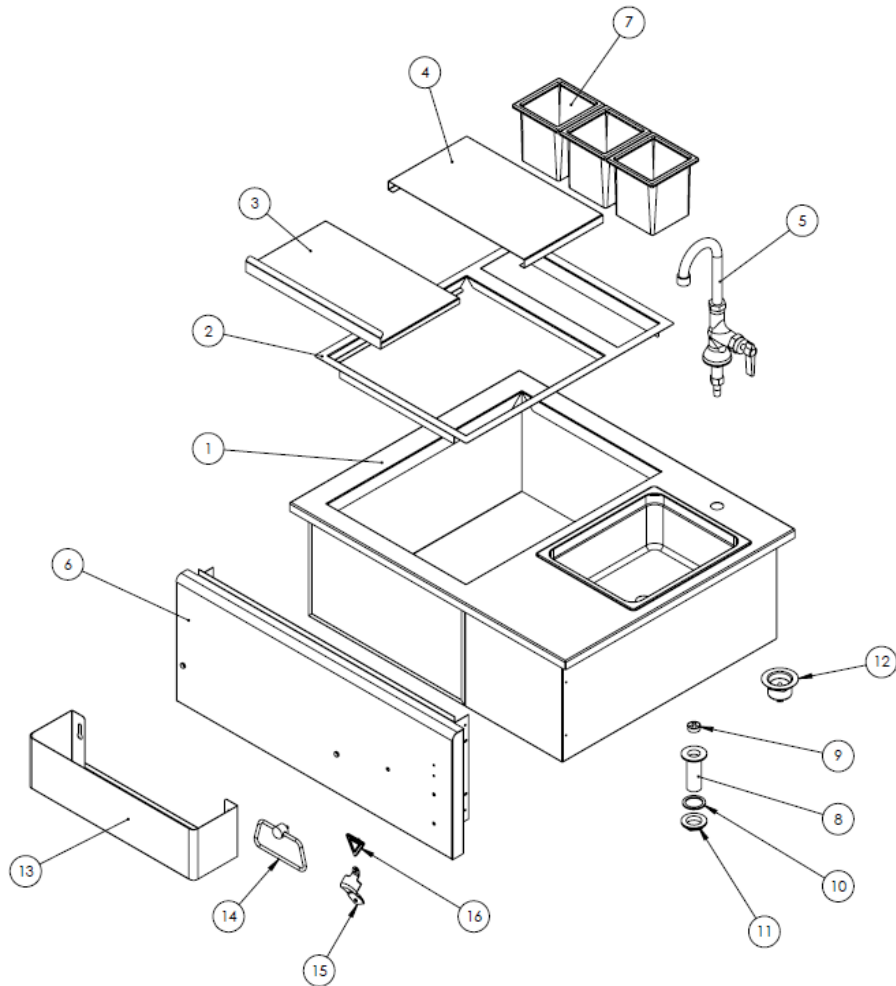
TEOB18-B SERVICE PARTS



Item No.	Part Number	Description	Qty.
1	S20380-18	OUTDOOR BAR TRIM	1
2	S20381Y	ICE BIN ASSEMBLY	1
3	S20329Y	18" FRONT PANEL ASSEMBLY	1
4	S20383	HOLDER FRAME	1
5	S20316Y	SLIDING COVER ASSEMBLY	1
6	S20315	FIXED COVER	1
7	S14407	BOTTLE WELL	3
8	S20311	SPEEDRAIL, 18	1
9	S12611	BRASS DRAIN SINK	1
10	S12612	BRASS STOPPER	1
11	S12613	RUBBER WASHER	1
12	S12614	BRASS FLANGED COCKNUT	1
13	S14410	BOTTLE OPENER	1
14	S13112	TWIN EAGLES LOGO	1
15	S14409	TOWEL RING HOLDER	1



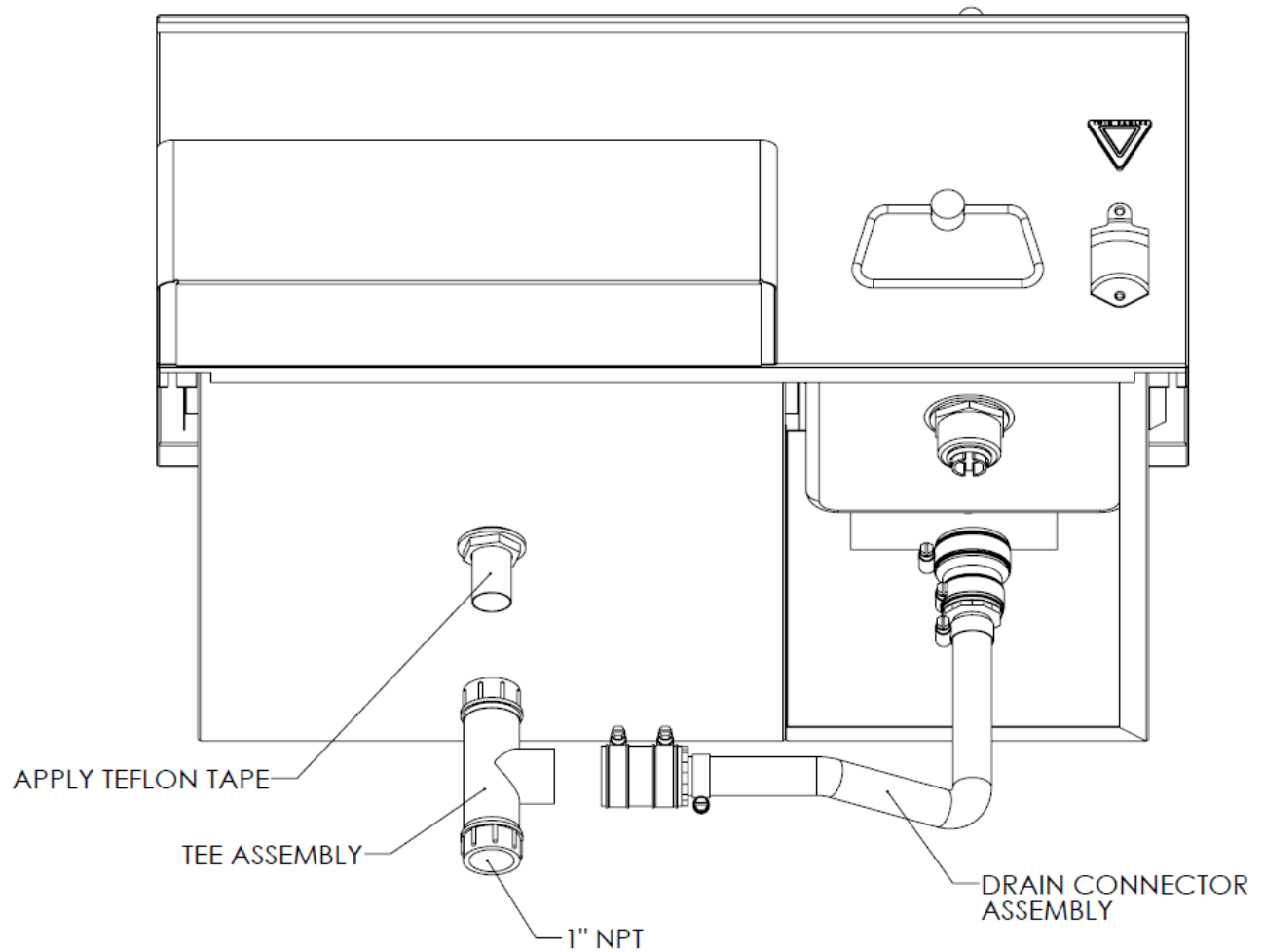
TEOB30-B EXPLODED ASSEMBLY



Item No.	Part Number	Description	Qty.
1	S20380-3YW	30" OUTDOOR WELDED ASSEMBLY	1
2	S20383	HOLDER FRAME	1
3	S20316Y	SLIDING COVER ASSEMBLY	1
4	S20315	FIXED COVER	1
5	S12667	FAUCET	1
6	S20330Y	30" FRONT PANEL ASSEMBLY	1
7	S14407	BOTTLE WELL	3
8	S12611	BRASS DRAIN SINK	1
9	S12612	BRASS STOPPER	1
10	S12613	RUBBER WASHER	1
11	S12614	BRASS FLANGED COCKNUT	1
12	S12615	DURO MINIBASKET DRAIN	1
13	S20312	SPEEDRAIL, 30	1
14	S14409	TOWEL RING HOLDER	1
15	S14410	BOTTLE OPENER	1
16	S13112	TWIN EAGLES LOGO	1



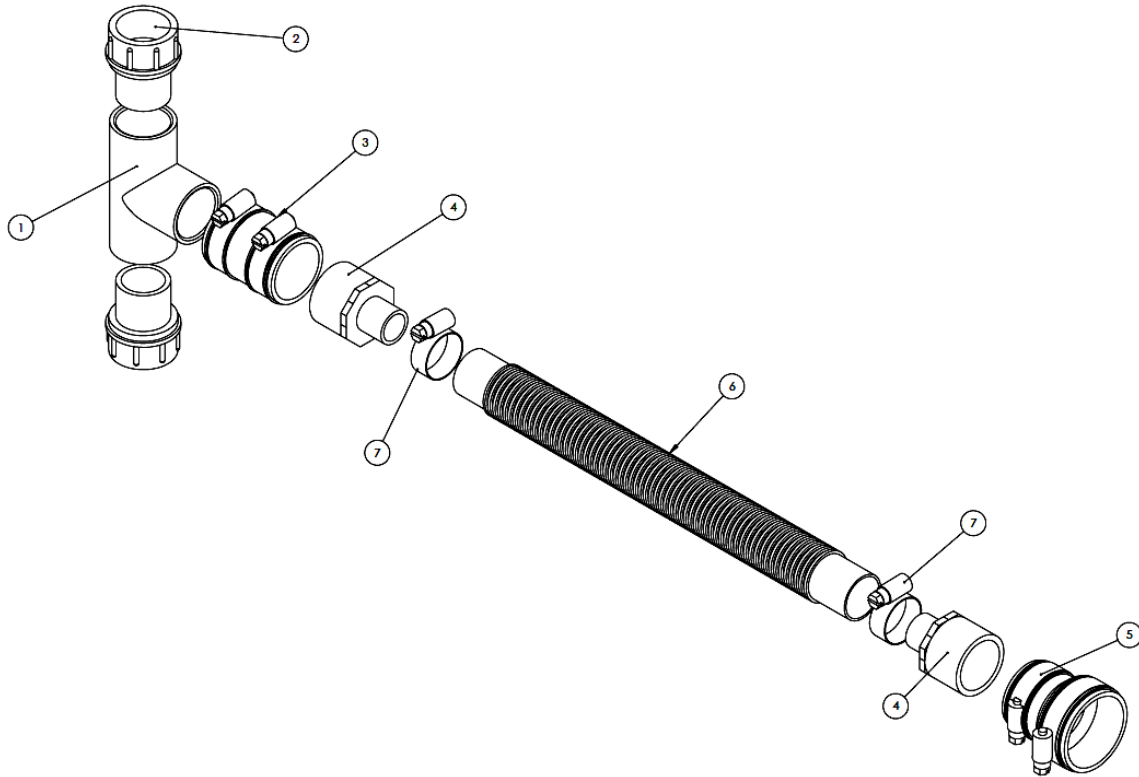
TYPICAL DRAIN CONNECTION



* Note: Parts can be obtained at your local hardware stores. Not supplied by the manufacturer.



TYPICAL DRAIN CONNECTION



Item	Description	Qty
1	PVC Tee, 1 x 1 x 1T	1
2	PVC Fitting, ¾ T x 1 FPT	2
3	Pipe Connector, PTC-50	1
4	PVC Fitting, 1T x ¾ MPT	2
5	Pipe Connector, PDTC-50	1
6	Bilge Hose, 12 inches	1
7	Clamp, #12, Stainless	2

* Note: Parts can be obtained at your local hardware stores. Not supplied by the manufacturer.



CLEANING AND MAINTENANCE

The Twin Eagles Outdoor Bar is made of stainless steel for long lasting beauty and service. It is non-rusting and non-magnetic.

Use stainless steel cleaner to clean the unit.

Mild soap and water can be used to wipe dirt.

Do not use steel wool to clean unit. Steel wool could leave metal fibers that will cause rusting.

Do not use abrasives on the polished surfaces or they will lose their luster and highlights. Use mild chrome cleaner, metal polish or WD40 to bring back luster.

To touch up minor scratches in the stainless steel surface, use a mild abrasive pad like Scotch Brite or emery sand paper with 100 dry grit. Scrub the affected area very lightly and always in the direction of the grain.

HOW TO OBTAIN SERVICE

For service, please contact your TWIN EAGLES dealer or call TWIN EAGLES direct at (800) 789-2206 or (562) 802-3488 or fax (562) 802-3391

Mailing address:
Twin Eagles, Inc.
13231 East 166th Street
Cerritos, CA 90703

Visit us at www.twineaglesbbq.com

Please provide:

- Model number
- Serial Number
- Date of installation
- A description of the problem

