

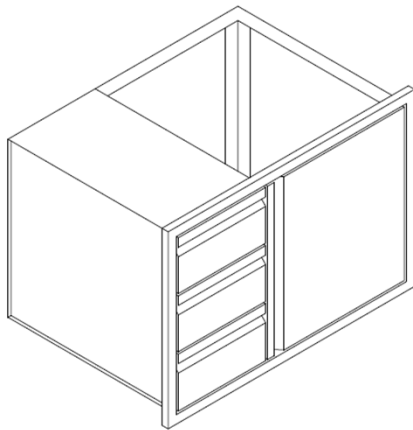


TWINEAGLES

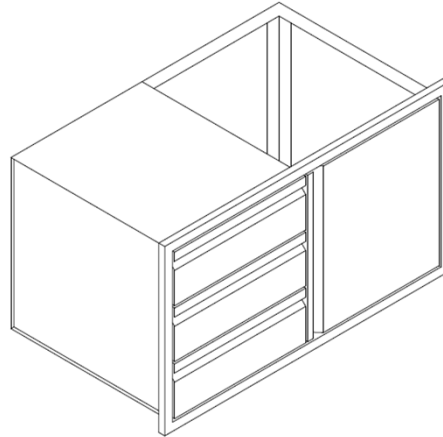
U S A

Defining the Art of Outdoor Cooking

Twin Eagles 3-Drawer-Door Combo



TEDD303-B



TEDD363-B

Features:

- ▼ Stainless steel welded construction
- ▼ Heavy duty, 100 lbs capacity, full extension and self closing removable slides
- ▼ **SOFT** closing doors with 3-way adjustable and concealed hinges
- ▼ Double walled doors with welded inside liners
- ▼ Non-protruding flush drawer and door handle design with high-polished accents
- ▼ One-piece 18 gauge front frame
- ▼ Extra large drawers
- ▼ Easy to install

Specifications:

Overall Dimensions

| | TEDD303-B | TEDD363-B |
|-------------|-----------|-----------|
| Height | : 20.75" | 20.75" |
| Width | : 30.00" | 36.00" |
| Depth | : 20.75" | 20.75" |
| Ship Weight | : 55 lbs | 70 lbs. |

Cutout Dimensions

| | TEDD303-B | TEDD363-B |
|--------|-----------|-----------|
| Height | : 19.00" | 19.00" |
| Width | : 29.25" | 35.25" |
| Depth | : n/a | n/a |

www.twineaglesbbq.com

Twin Eagles, Inc.

13231 166th St. Cerritos, CA. 90703