

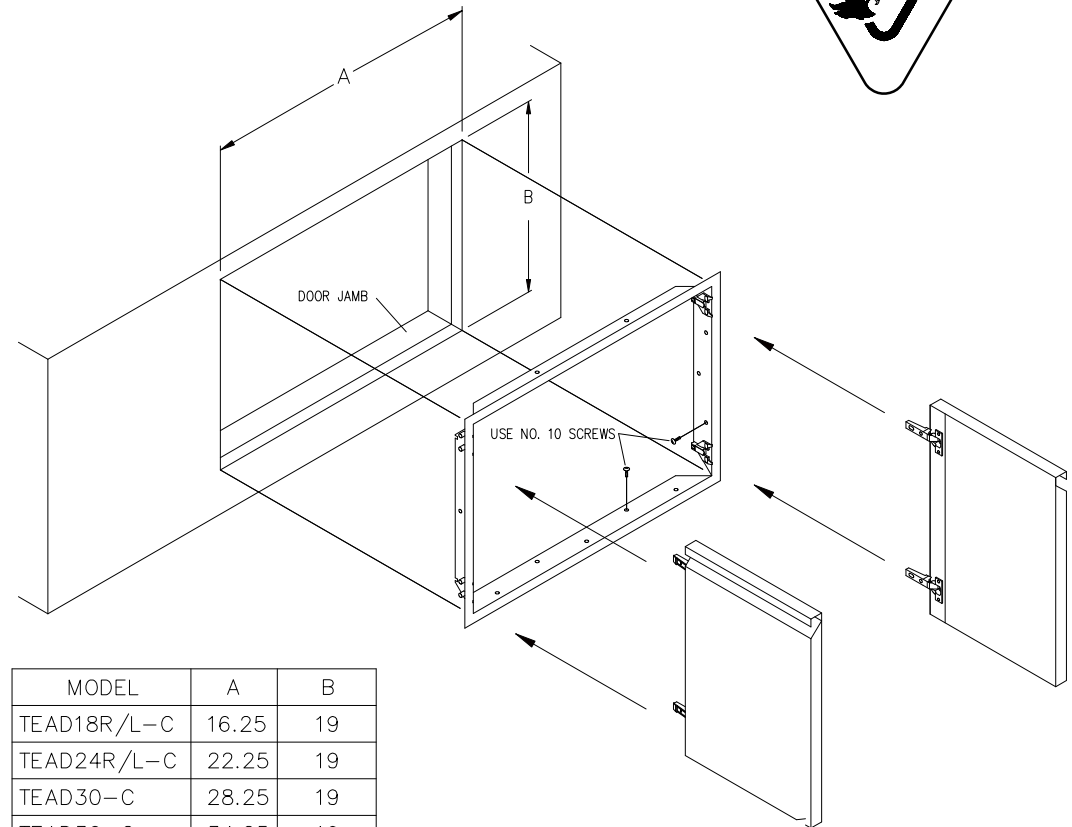
TWIN EAGLES ACCESS DOORS

MODELS: TEAD18R/L-C TEAD24R/L-C
 TEAD30-C TEAD36-C
 TEAD42-C



INSTALLATION INSTRUCTIONS

1. PROVIDE CUT OUT AND DOOR JAMB WITH INSIDE DIMENSIONS AS FOLLOWS:
 16 1/4 X 19 FOR TEAD18R/L-C
 22 1/4 X 19 FOR TEAD24R/L-C
 28 1/4 X 19 FOR TEAD30-C
 34 1/4 X 19 FOR TEAD36-C
 40 1/4 X 19 FOR TEAD42-C
2. CHECK FITTING OF FRAME AGAINST CUTOUT.
3. SECURE THE STEEL FRAME USING NO. 10 SCREWS
4. ATTACH DOORS TO FRAME (SEE FIG. 1).
5. ADJUST DOOR AS FOLLOWS:
 A) FOR HEIGHT ADJUSTMENT, LOOSEN THE TWO SCREWS ATTACHED TO EACH MOUNTING PLATE. ADJUST DOOR AND RETIGHTEN SCREWS (SEE FIGURE A).
 B) SNAP OFF HINGE AND SECURE MOUNTING PLATE WITH #6 X 1 FLAT PHILLIPS S/S



MODEL	A	B
TEAD18R/L-C	16.25	19
TEAD24R/L-C	22.25	19
TEAD30-C	28.25	19
TEAD36-C	34.25	19
TEAD42-C	40.25	19

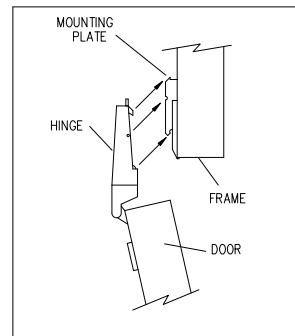


FIG 1

- C) FOR SIDE ADJUSTMENT, TURN FRONT SCREW ON DOOR HINGE TO MOVE DOOR SIDWAYS (SEE FIGURE C).
- D) FOR DEPTH ADJUSTMENT, TURN REAR SCREW ON DOOR HINGE TO MOVE DOOR BACK AND FORTH (SEE FIGURE D)

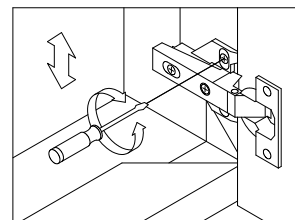


FIG A
HEIGHT ADJUSTMENT

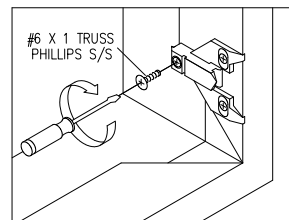


FIG B
SECURE MOUNTING PLATE

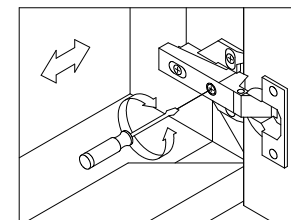


FIG C
SIDE ADJUSTMENT

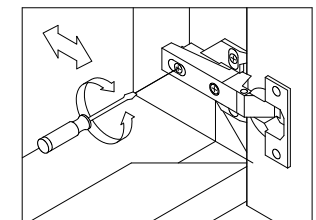


FIG D
DEPTH ADJUSTMENT